

DESCRIPTION

AMC MODEL AGTN-2000-60DD IS A HIGH SPEED, BROAD BAND, VARIABLE ATTENUATOR/MODULATOR, CONTROLLED BY 8 BIT POSITIVE TRUE BINARY LOGIC.

SPECIFICATIONS

- FREQUENCY RANGE 100 MHz - 2.0 GHz MINIMUM
- INSERTION LOSS 2.5 dB MAXIMUM
- ATTENUATION FLATNESS
(± dB MAXIMUM) 0-30 dB ±0.5 dB MAXIMUM
30-50 dB ±1.5 dB MAXIMUM
50-60 dB ±2.5 dB MAXIMUM
- ATTENUATION ACCURACY 0-10 dB ±2.0 dB MAXIMUM
10-20 dB ±1.0 dB MAXIMUM
20-50 dB ±1.5 dB MAXIMUM
50-60 dB ±2.0 dB MAXIMUM
- SWITCHING TIME <1 μsec (500 nsec TYPICAL)
- VSWR 2.0:1 MAXIMUM , 1.75 TYPICAL
- RF POWER RATINGS
OPERATING +10 dBm CW MAXIMUM,
+20 dBm TYPICAL
SURVIVAL +30 dBm CW MAXIMUM
- CONTROL 8 BIT TRUE BINARY LOGIC
- POWER SUPPLY +12VDC @ 250 mA MAXIMUM
(210 mA TYPICAL)
-12VDC @ 50 mA MAXIMUM
(30 mA TYPICAL)
- CONNECTORS
RF INPUT/OUTPUT SMA FEMALE
POWER AND CONTROLS 15 PIN D SUBMINIATURE (MALE)
MATING CONNECTOR FURNISHED
- SIZE 2.00" x 1.81" x 0.88"

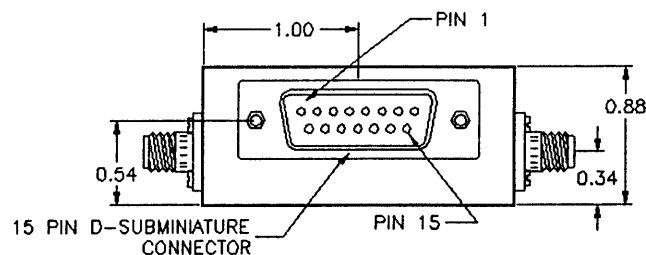
AVAILABLE OPTIONS

- 10M2 EXTENDED FREQUENCY RANGE: 10 MHz TO 2 GHz
- 50M2 EXTENDED FREQUENCY RANGE: 50 MHz TO 2 GHz
- A01 TWO SMA MALE RF CONNECTORS
- A02 J1 SMA MALE, J2 SMA FEMALE
- A03 FOR EXTENDED FREQUENCY RANGE UNITS OF
2-18 GHz, 2-19 GHz, 0.3-18 GHz, 0.2-18 GHz,
10 MHz-18 GHz REFER TO AGT-2018-60DD-100 (SLIM LINE)
DATA SHEET. FOR ANALOG VOLTAGE CONTROLLED UNITS WITH SOLDER
PINS REFER TO AGT-2018-60D-100 (SLIM LINE).
- A04 MOUNTING SURFACE UNPAINTED
- A05 ±15 VDC POWER SUPPLY
- A06 0 TO 30 dB RANGE
- A07 FOR HIGH SPEED UNITS OF ≤ 1 μsec AND EXTENDED FREQUENCY
RANGES OF 2-18 GHz, 2-19 GHz, 0.3-18 GHz, AND
0.2-18 GHz REFER TO DATA SHEETS AGTN-2000-60DD-100
(SLIM LINE). FOR ANALOG VOLTAGE CONTROLLED UNIT WITH
SOLDER PINS REFER TO AGTN-2018-60D-100 (SLIM LINE)
- A08 ANALOG CONTROLLED UNIT-10dB/VOLT PIN 2 IS USED
AS CONTROL (OTHER CONTROL VOLTAGES AVAILABLE).
FOR SOLDER PIN UNITS REFER TO AGTN-2000-60D
(SLIM LINE)
- A09 9 BIT TRUE BINARY LOGIC
- A10 10 BIT TRUE BINARY LOGIC
- A11 11 BIT TRUE BINARY LOGIC
- A12 12 BIT TRUE BINARY LOGIC
- A13 BLIND MATE CONNECTORS
- SCS SPECIAL CUSTOMER SPECIFICATION

NOTE: THE ABOVE SPECIFICATIONS ARE SUBJECT TO CHANGE OR REVISION

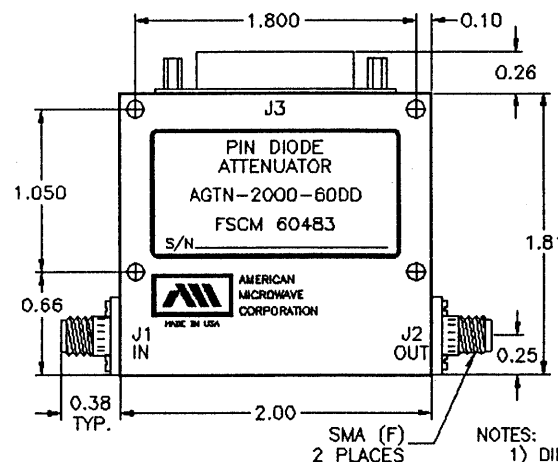
REVISIONS				
ZONE	REV.	DESCRIPTION	DATE	APPROVED
		ORIGINAL RELEASE	5/11/98	

MECHANICAL OUTLINE



8 BIT TRUE BINARY LOGIC	
J3 PIN FUNCTIONS	
PIN NO.	FUNCTIONS.
1	GND
2	N/C *
3	N/C *
4	GND
5	0.25 dB (LSB)
6	0.5 dB
7	1.0 dB
8	2.0 dB
9	4.0 dB
10	8.0 dB
11	16.0 dB
12	32.0 dB
13	+V
14	-V
15	N/C *

* N/C = NO CONNECTION



NOTES:

1) DIMENSIONS ARE IN INCHES

2) TOLERANCES: X.XX ±0.020
X.XXX ±0.010

ENVIRONMENTAL RATINGS

- TEMPERATURE -55°C TO +125°C (OPERATING)
-65°C TO +125°C (STORAGE)
- HUMIDITY MIL-STD-202F, METHOD 103B COND. B
- SHOCK MIL-STD-202F, METHOD 213B COND. B
- VIBRATION MIL-STD-202F, METHOD 204D COND. B
- ALTITUDE MIL-STD-202F, METHOD 105C COND. B
- TEMPERATURE CYCLE MIL-STD-202F, METHOD 107D COND. A



AMERICAN MICROWAVE CORPORATION

7311G GROVE RD., FREDERICK, MD. 21704

TEL: (301) 662-4700 FAX: (301) 662-4938

APPROVALS	DATE
DRAWN WSP	5/11/98
CHECKED	

PRODUCT FEATURE		
AGTN-2000-60DD		
100 MHz-2 GHz, HIGH SPEED, PROGRAMMABLE VARIABLE ATTENUATOR		
SIZE A	SHEET 1 OF 2	DWG. # 100-4228-3